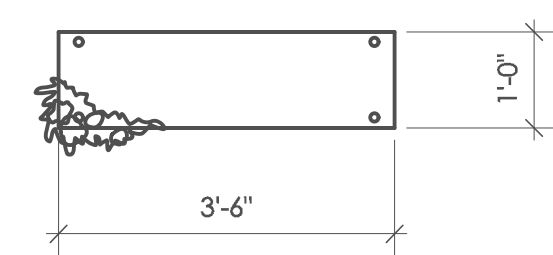
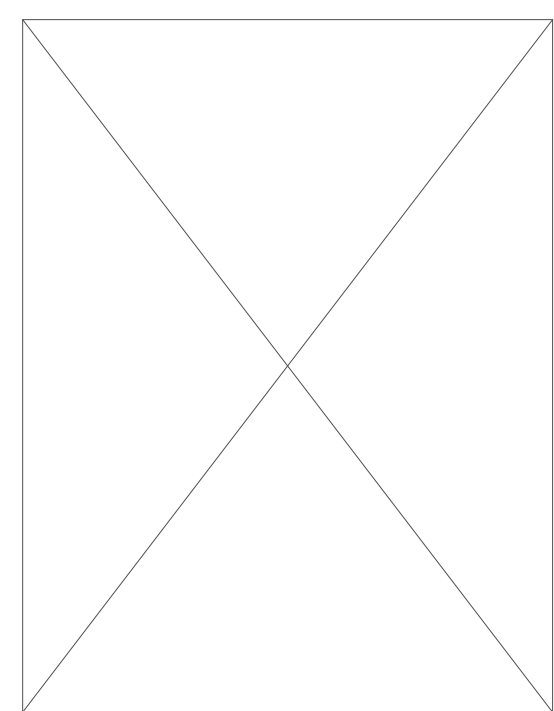


A.1 SWING SIDE
Scale: 1/2" = 1'-0"

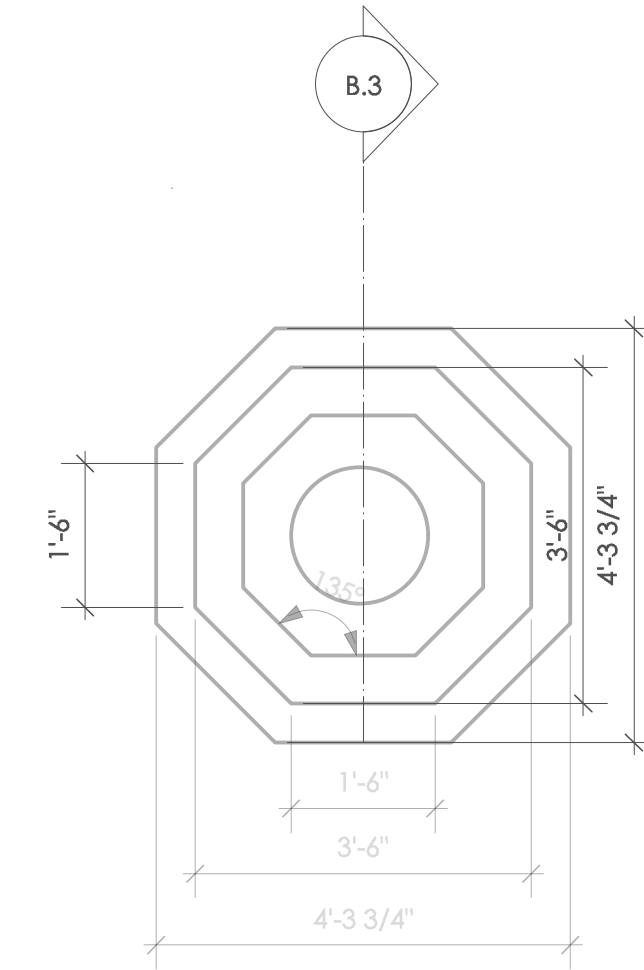
A.2 SWING FRONT
Scale: 1/2" = 1'-0"



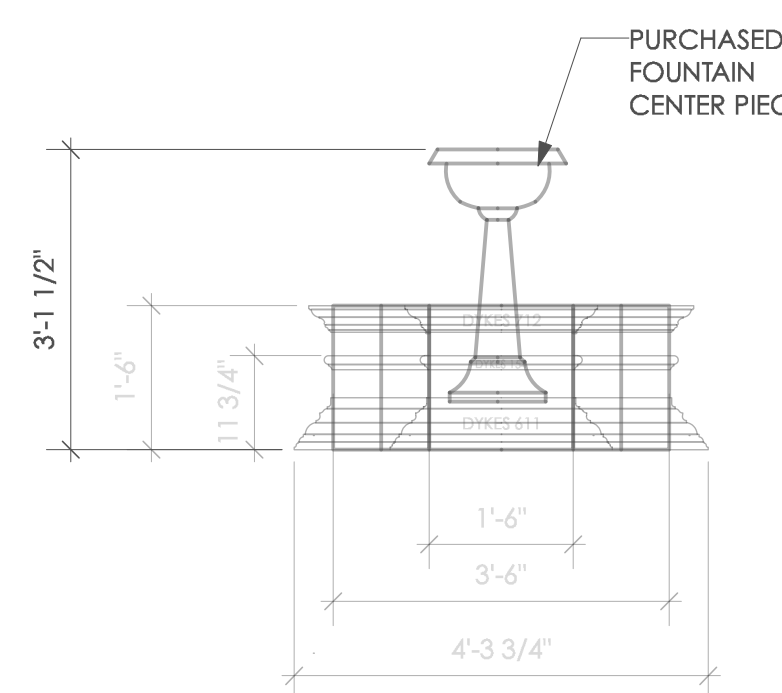
A.2 SWING TOP
Scale: 1/2" = 1'-0"



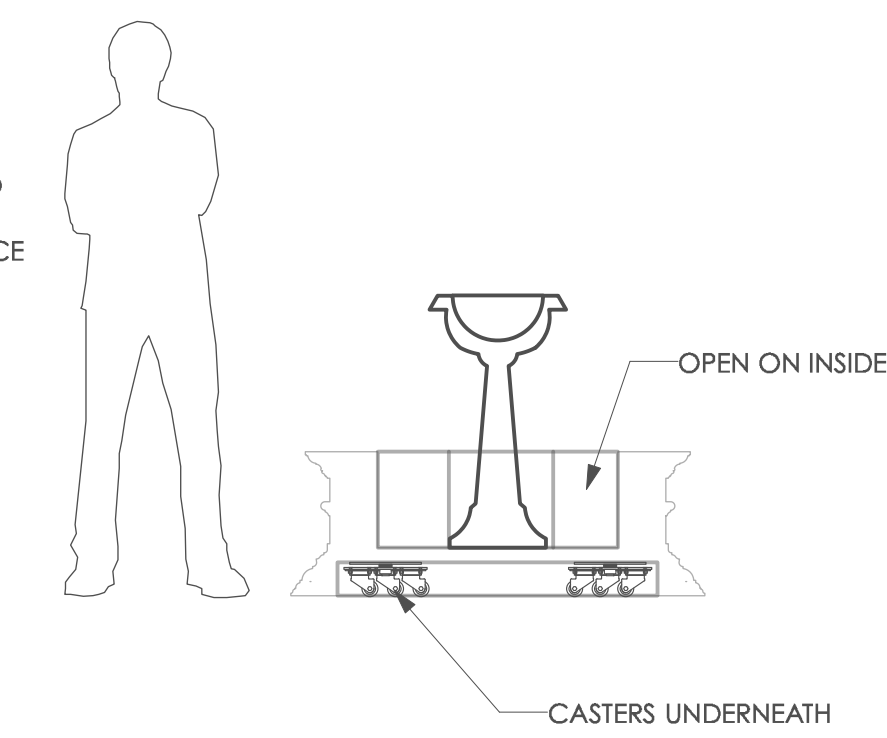
SWING RESEARCH



B.1 FOUNTAIN PLAN
Scale: 1/2" = 1'-0"

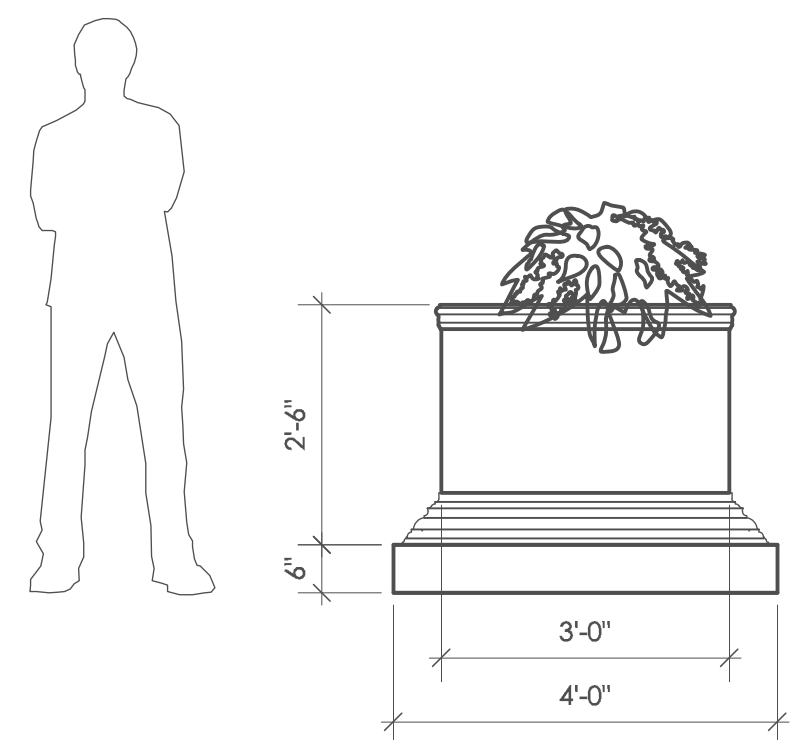


B.2 FOUNTAIN FRONT
Scale: 1/2" = 1'-0"

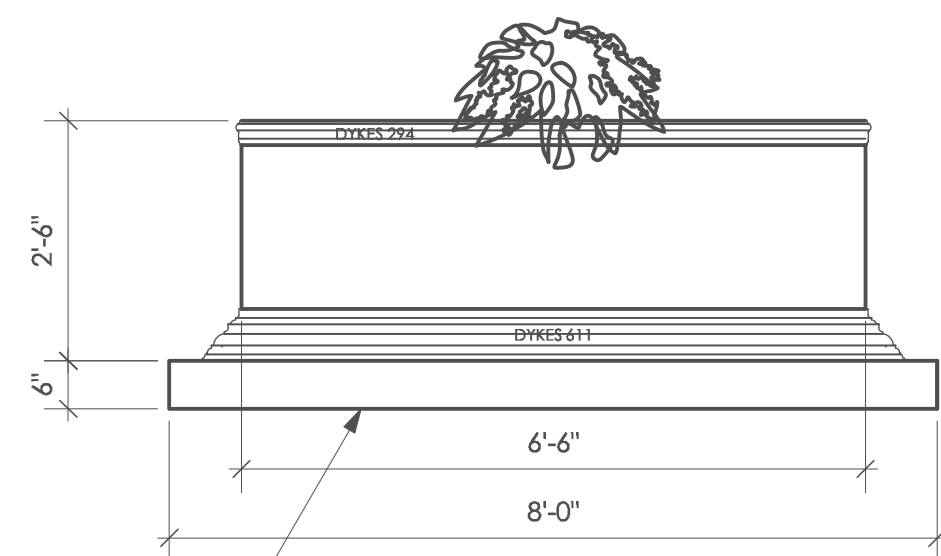


B.3 FOUNTAIN SECTION
Scale: 1/2" = 1'-0"

FOUNTAIN CENTERPIECE
31 1/2" WHITE PEDESTAL URN
PLANTER BOX PLASTIC GARDEN
PORCH PATIO FLOWER POT
\$38.60 EACH
http://www.bonanza.com/listing/s/31-1-2-White-Pedestal-Urn-Planter-Box-Plastic-Garden-Porch-Patio-Flower-Pot/207927199?gclid=76984259341&gclid=8gpgog_plc=1&gclid=CKfh_qExMCFQ0bgQad83wAIA

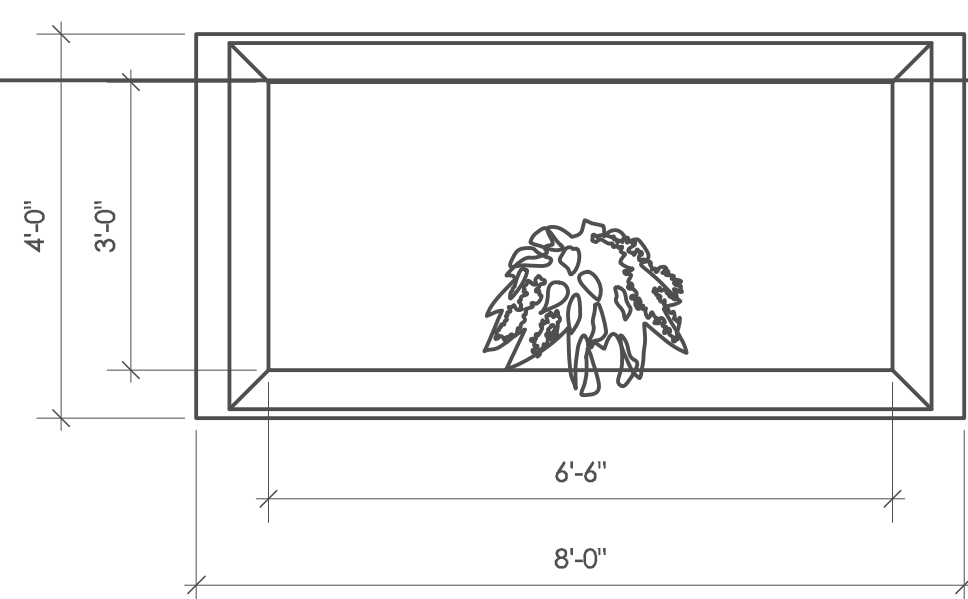


C.1 TOMB SIDE
Scale: 1/2" = 1'-0"

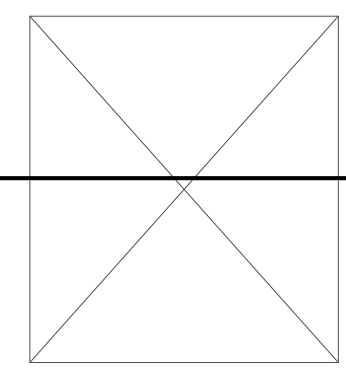


C.2 TOMB FRONT
Scale: 1/2" = 1'-0"

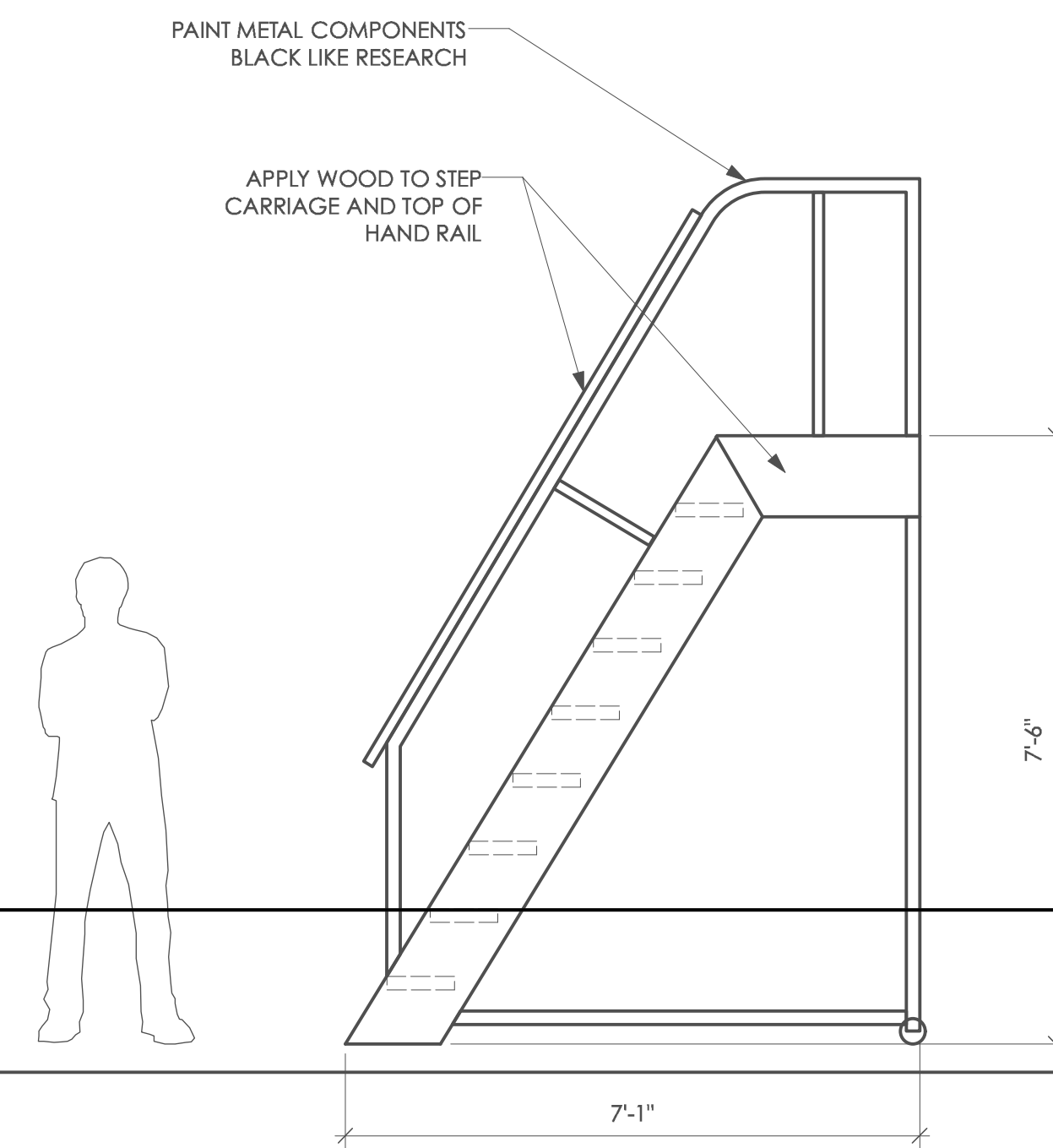
CASTERS UNDERNEATH FOR EASE OF PRESET AND MOVING BACKSTAGE



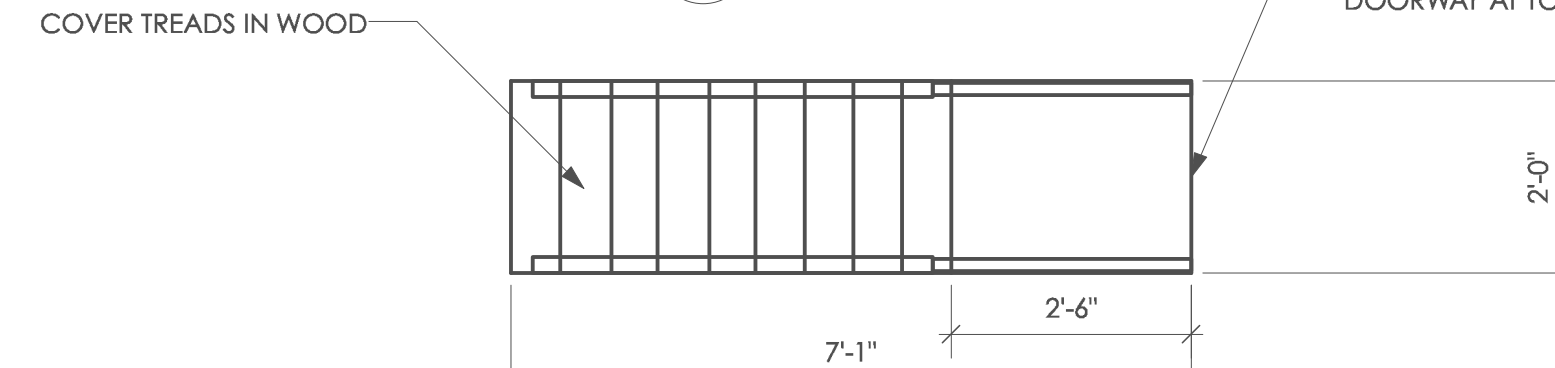
C.2 TOMB TOP
Scale: 1/2" = 1'-0"



BOUQUET RESEARCH



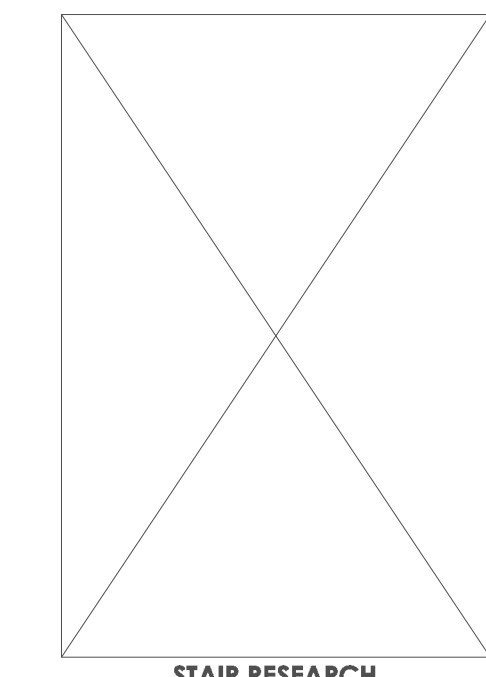
D.1 STAIRS SIDE
Scale: 1/2" = 1'-0"



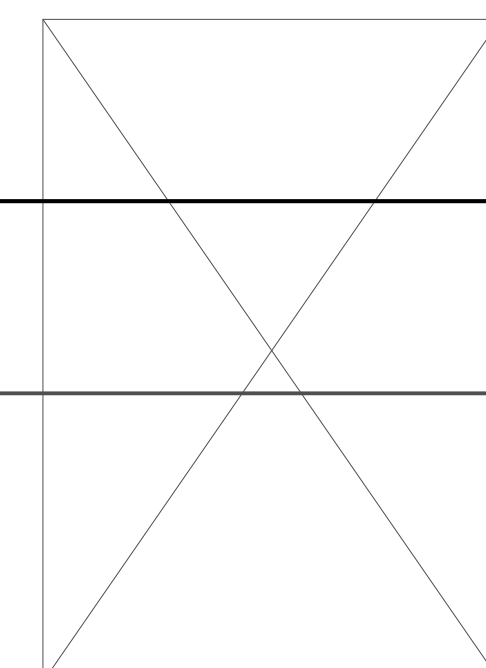
D.2 STAIRS TOP
Scale: 1/2" = 1'-0"

CONFIRM STAIR HEIGHT WITH SR AND SL SHUTTER WALLS. ACTOR SHOULD BE ABLE TO CLIMB LADDER, OPEN DOOR AND STEP THROUGH TO OTHER SIDE. DISCUSS WITH SET DESIGNER.

BUILD 2



STAIR RESEARCH



MCMASTER CARR ROLLING STAIR
STEEL PLATFORM LADDER WITH EXPANDED METAL STEPS WITH HANDRAIL, 7'6" HIGH X 24" WIDE X 30" DEEP PLATFORM, 9 STEPS \$822.41 EACH